



# Metering Valves

15M Series, 15,000 psig (1034 bar)

30M Series, 30,000 psig (2068 bar)

60M Series, 60,000 psig (4137 bar)



Medium & High Pressure Fittings and Tubing
Quick Couplings
Medium & High Pressure Valves
Line Filters
Sour Service Products
Subsea Valves
Tools and Installation Instructions
Technical Information

# Contents

Features	C-65
Technical Data	C-65
Flow Data at 100°F (38°C)	C-65
Pressure vs. Temperature Curve	C-65
Standard Materials of Construction	C-66
Ordering Information and Dimensions	C-67
Ordering Number Description	C-67

 Medium & High Pressure  
Fittings and Tubing

Quick Couplings

 Medium & High Pressure  
Valves

Line Filters

Sour Service Products

Subsea Valves

 Tools and Installation  
Instructions

Technical Information

## Features

- Precisely tapered valve stem accurately controls flow for gases and liquids
- The design of Barrel and Thimble micrometer permits repeatable settings
  - Each division of barrel equals to 0.025"
  - Thimble is divided into 25 divisions, each division of thimble equals to 0.001" stem travel
  - One revolution equals to valve stem 0.025" travel
- Valve body made of high tensile 316 stainless steel for maximum wear and corrosion resistance
- Packing located under stem threads
- Reliable locking device for packing gland
- Not intended as shut-off valves. Install a correlated shutoff valve when shut-off is required
- Minimum flow rate set at "0" position, and operation below "0" position not allowed

## Technical Data

Series	Tube O.D. in.	Connection	Orifice in. (mm)	Cv	Working Pressure psig (bar)
15M	1/8	DHL2	0.062 (1.57)	0.04	15,000 (1034)
15M	1/4	DHL4	0.062 (1.57)	0.04	15,000 (1034)
30M	1/4	6FH4	0.062 (1.57)	0.04	30,000 (2068)
60M	1/4	6FH4	0.062 (1.57)	0.04	60,000 (4137)
60M	3/8	6FH6	0.062 (1.57)	0.04	60,000 (4137)

### Packing Options:

Nylon is the standard packing material for 60M series, PTFE for other series. RPTFE is available for all series.

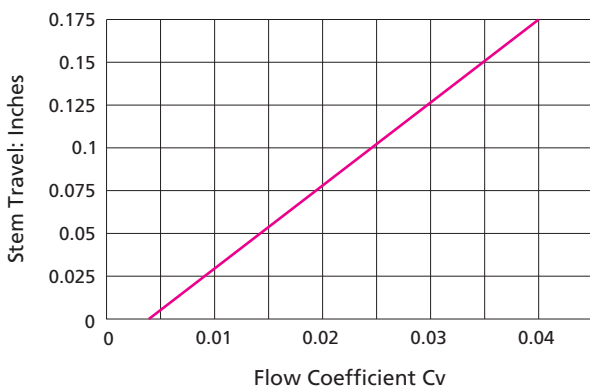
Nylon: 40°F~230°F (4.4°C~110°C).

PTFE: -100°F~450°F (-73°C~232°C).

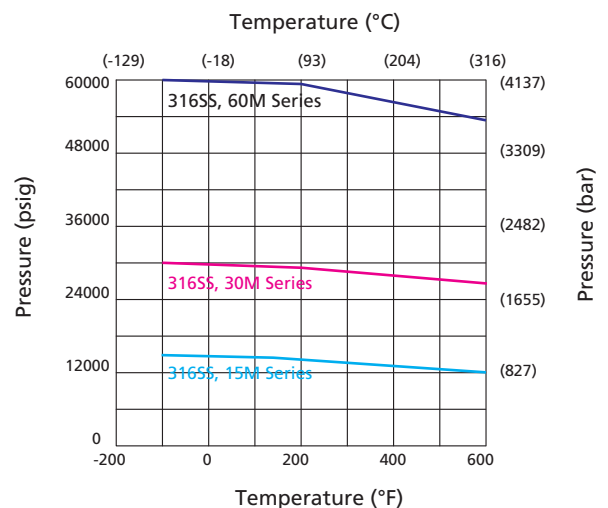
RPTFE glass: -100°F~600°F (-73°C~316°C).

Graphite: 0°F~800°F (-17.8°C~427°C).

## Flow Data at 100°F (38°C)

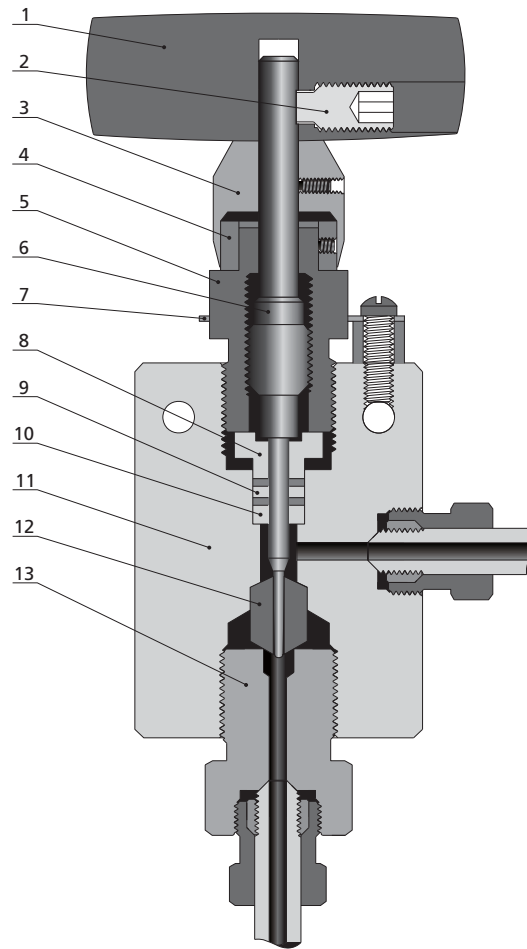


## Pressure vs. Temperature Curve



Medium & High Pressure Fittings and Tubing  
Quick Couplings  
Medium & High Pressure Valves  
Line Filters  
Sour Service Products  
Subsea Valves  
Tools and Installation Instructions  
Technical Information

## Standard Materials of Construction



Item	Component	Material Grade/ASTM Specification
1	Handle	Stainless steel
2	Handle Screw	Stainless steel
3	Thimble	304 SS/A479
4	Barrel	304 SS/A479
5	Packing Bolt	C63000/B150
6	<i>Stem</i>	<i>17-4PH/A564</i>
7	Locking Plate	304 SS/A240
8	Packing Gland	C63000/B150
9	<i>Packing</i>	<i>PTFE/RPTFE/Nylon</i>
10	<i>Packing Washer</i>	<i>17-4PH/A564</i>
11	<i>Body</i>	<i>316 SS/A479</i>
12	<i>Seat</i>	<i>17-4PH/A564</i>
13	<i>Seat Gland</i>	<i>316 SS/A479</i>
	Lubricant	Molybdenum Disulfide/Fluorinated-based

Wetted components listed in italics.

 Medium & High Pressure  
Fittings and Tubing

Quick Couplings

 Medium & High Pressure  
Valves

Line Filters

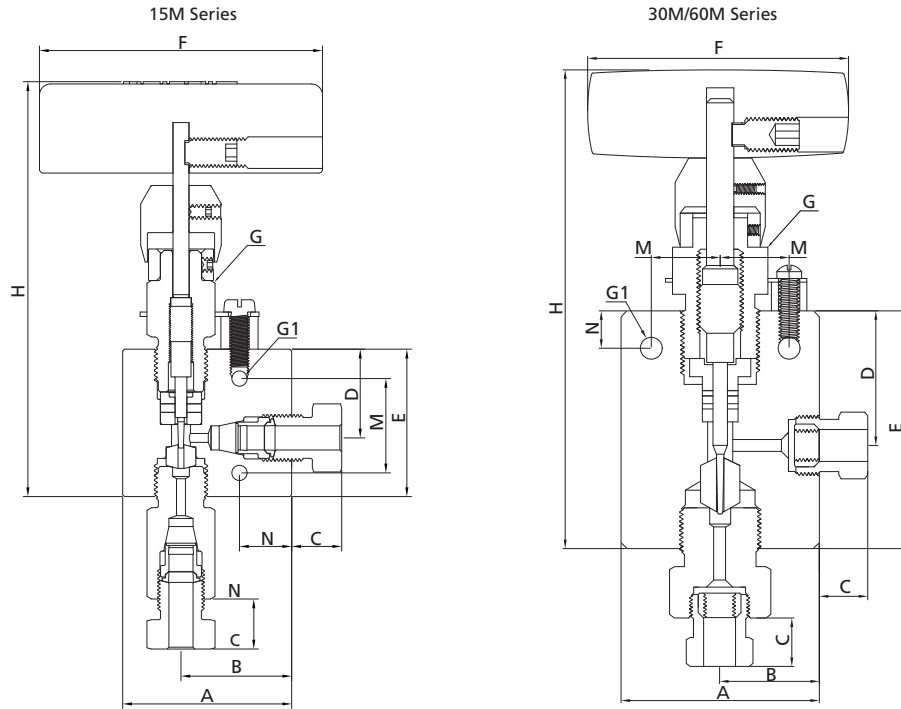
Sour Service Products

Subsea Valves

 Tools and Installation  
Instructions

Technical Information

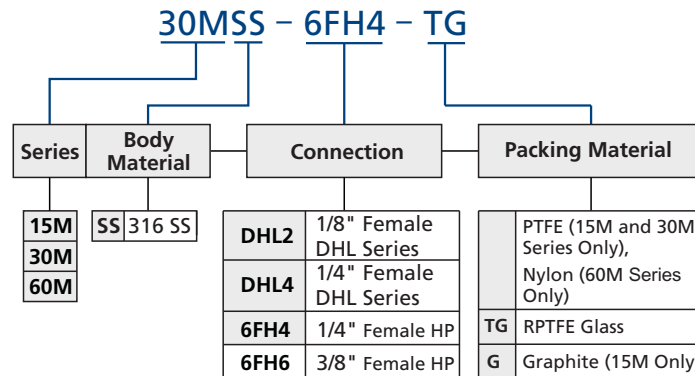
## Ordering Information and Dimensions



Ordering Number	Connection	Orifice in. (mm)	Dimensions, in. (mm)											
			A	B	C	D	E	F	G	G1	H	M	N	Thickness
15MSS-DHL2	DHL2	0.062 (1.57)	1.79 (45.5)	1.17 (29.8)	0.44 (11.2)	0.94 (23.8)	1.56 (39.6)	3.00 (76.2)	0.87 (22.1)	0.16 (4.1)	5.06 (128.5)	1.00 (25.4)	0.55 (14.1)	0.75 (19.1)
15MSS-DHL4	DHL4	0.062 (1.57)	1.79 (45.5)	1.17 (29.8)	0.53 (13.5)	0.94 (23.8)	1.56 (39.6)	3.00 (76.2)	0.87 (22.1)	0.16 (4.1)	5.06 (128.5)	1.00 (25.4)	0.55 (14.1)	0.75 (19.1)
30MSS-6FH4	6FH4	0.062 (1.57)	2.00 (50.8)	1.00 (25.4)	0.50 (12.7)	1.12 (28.5)	2.00 (50.8)	3.00 (76.2)	0.97 (24.6)	0.22 (5.6)	5.06 (128.5)	0.69 (17.3)	0.50 (12.7)	1.00 (25.4)
60MSS-6FH4	6FH4	0.062 (1.57)	2.00 (50.8)	1.00 (25.4)	0.50 (12.7)	1.31 (33.3)	2.63 (66.8)	3.00 (76.2)	0.97 (24.6)	0.22 (5.6)	6.00 (152.4)	0.69 (17.3)	0.38 (9.7)	1.00 (25.4)
60MSS-6FH6	6FH6	0.062 (1.57)	2.00 (50.8)	1.00 (25.4)	0.53 (13.5)	1.31 (33.3)	2.63 (66.8)	3.00 (76.2)	0.97 (24.6)	0.22 (5.6)	6.06 (153.9)	0.69 (17.3)	0.38 (9.7)	1.00 (25.4)

- NOTES: 1. G is the drill dimension of packing bolt mounting hole.  
 2. G1 is the dimension of bracket mounting hole.  
 3. Panel mounting drill size: 0.25" all valves.  
 4. H is the dimension when stem is in "0" position.  
 5. All dimensions are for reference only and are subject to change. For dimensions not shown above, please contact the FITOK Group or our authorized distributors.

## Ordering Number Description



NOTE: "Ordering Number Description" is a reference to understand the combination rules of FITOK product part number. Not all combinations are available.

Medium & High Pressure Fittings and Tubing  
 Quick Couplings  
 Medium & High Pressure Valves  
 Line Filters  
 Sour Service Products  
 Subsea Valves  
 Tools and Installation Instructions  
 Technical Information

## **FIRTECH**

Al. Piłsudskiego 34, 05-270 Marki, Polska

**Tel.:** +48 22 435-82-44, **Fax.:** +48 22 427-52-66

**e-mail:** FITOK@FITOKGROUP.PL

FK-IC-HV-04-EN-170505